

## Size of Mattress and Foundation

The length and width of the upper bunk mattress and foundation are as follows :

	<u>Length</u>	<u>Width</u>	<u>Thickness</u>
<b>TWIN :</b>	<b>74"- 75"</b>	<b>37 ½"- 38 ½"</b>	<b>9 ½" max</b>
<b>FULL :</b>	<b>74"- 75"</b>	<b>52"- 53 "</b>	<b>9 ½" max</b>

**You must use only this size mattress.**

Ensure thickness of mattress and foundation combined does not exceed 9 ½" and that the mattress is at least 5" below upper edge of guardrails.

This Bunk Bed uses a slat kit for mattress foundation.

### Replacement Parts

Replacement parts, including additional guardrails, may be obtained from any Atlantic Furniture dealer



## SAFETY WARNINGS



- ( 1 ) Follow the information on the warnings appearing on the upper bunk end structure and on the carton. Do not remove warning label from bed.
- ( 2 ) Always use the recommended size mattress or mattress support, or both, to help prevent the likelihood of entrapment or falls.
- ( 3 ) Surface of mattress must be at least 5 in. (127mm) below the upper edge of guardrails.
- ( 4 ) Do not allow children under 6 years of age to use the upper bunk.
- ( 5 ) Periodically check and ensure that the guardrail, ladder, and other component are in their proper position, free from damage, and that all connectors are tight.
- ( 6 ) Do not allow horseplay on or under the bed, and prohibit jumping on the bed.
- ( 7 ) Always use ladder for entering or leaving upper bunk.
- ( 8 ) Do not use substitute parts. Contact the manufacturer for replacement parts.
- ( 9 ) Use of a night light may provide added safety precaution for a child using the upper bunk.
- (10) Always use guardrails on both long sides of the upper bunk. If the bunk bed will be placed next to a wall, the guardrail that runs the full length of the bed must be placed against the wall to prevent entrapment between the bed and the wall.
- (11) The use of water or sleep flotation mattress is prohibited.
- (12) Prohibit more than one person on upper bunk.
- (13) **STRANGULATION HAZARD** : Never attach or hang items to any part of the Bunk Bed that are not designed for use with the bed: for example, but not limited to, hooks, belts and jump ropes.
- (14) Keep these instructions for future reference.



# COLUMBIA BUNK BED

ATLANTIC  
FURNITURE

## ASSEMBLY INSTRUCTIONS

TWIN - FULL

Thank you for choosing our new bunk bed.

This practical design offers the utmost in versatility.

Before assembling your Columbia bunk bed, please read through these instructions carefully, familiarising yourself with the different parts.

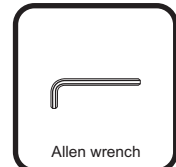
Please note that you will require a Phillips head screwdriver and an Allen wrench.



BUNK BED SHOWN WITHOUT LADDER



Assembling by Adult



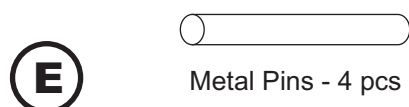
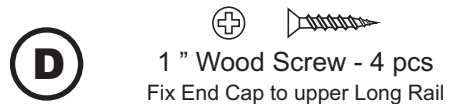
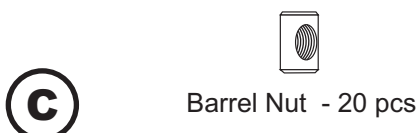
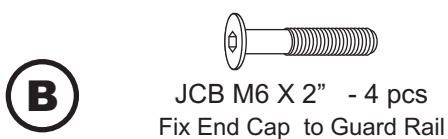
Allen wrench



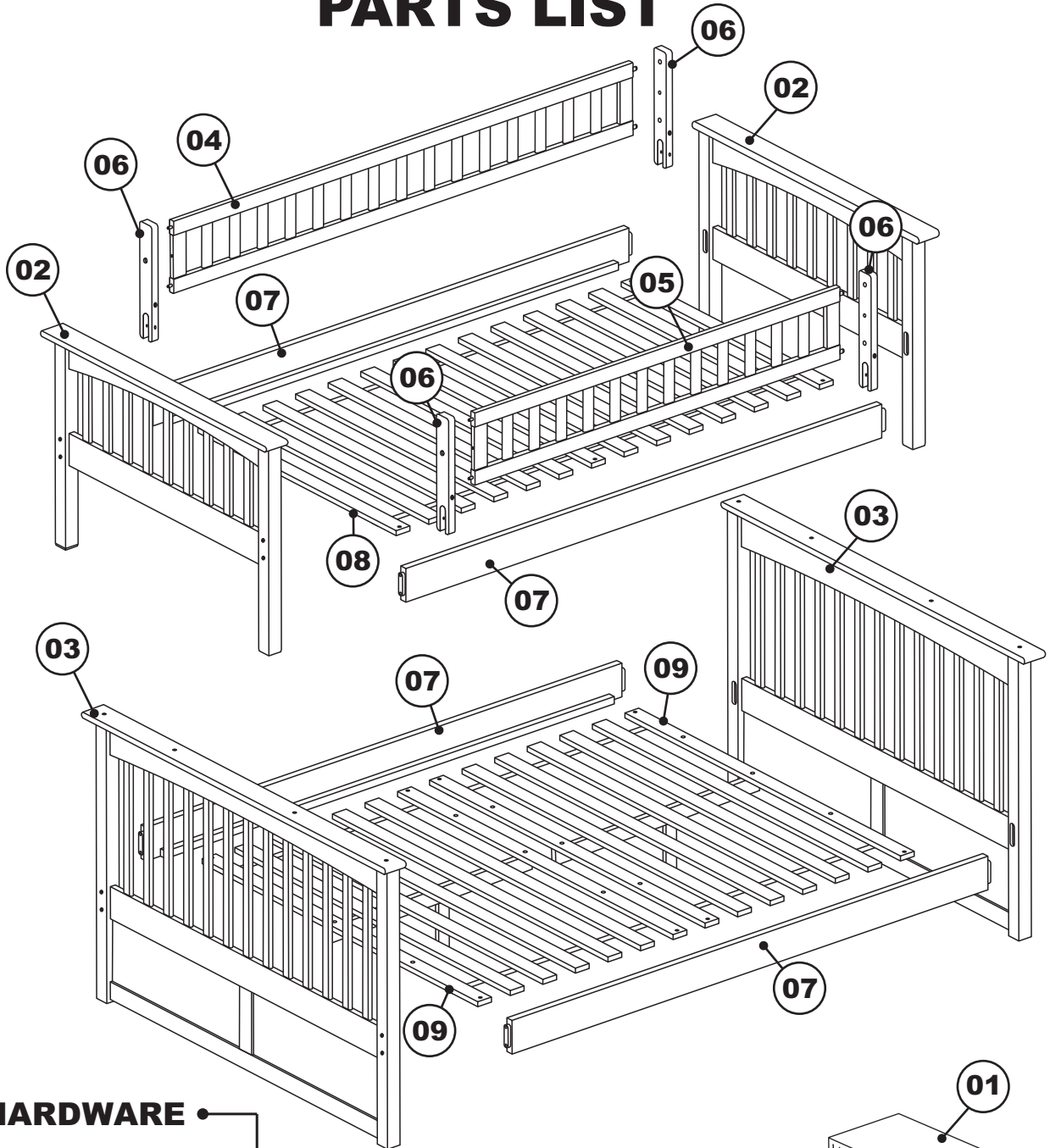
Customer Supplied

Phillips head screwdriver

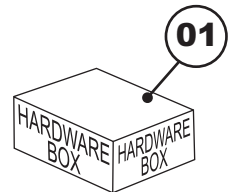
## HARDWARE



# PARTS LIST

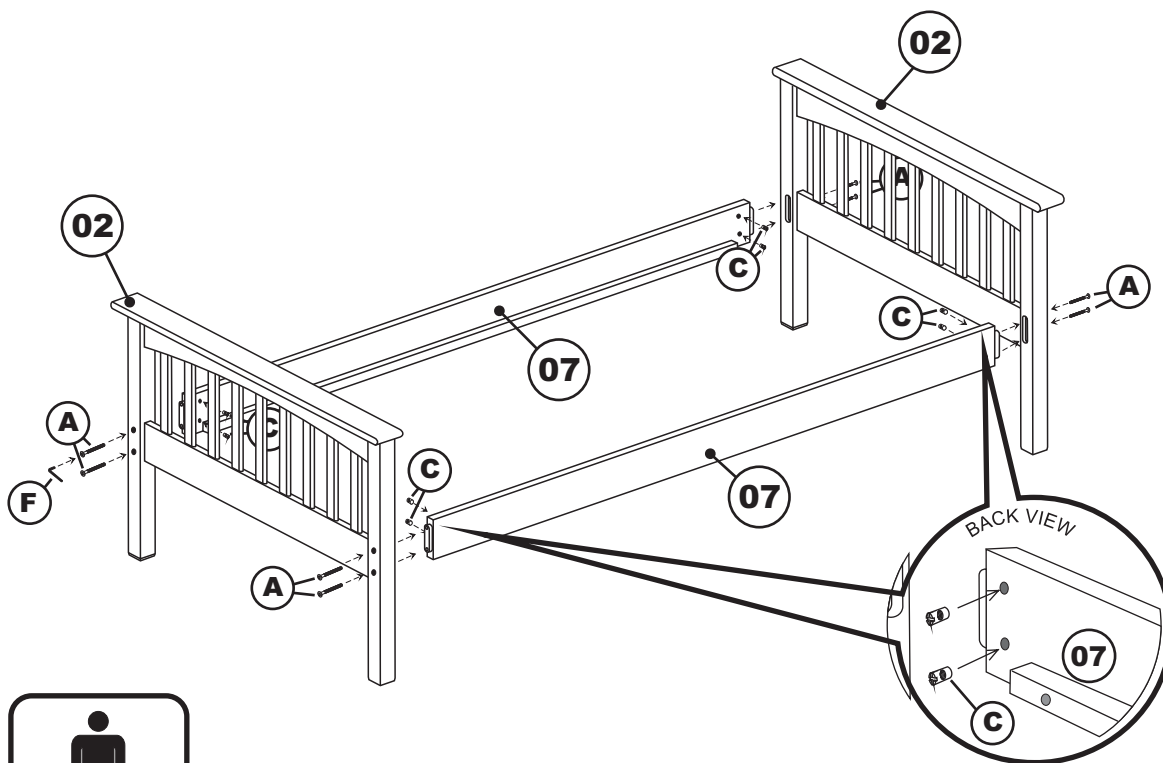


- 01 **HARDWARE** •
- 02 **UPPER PANEL** • 1 BOX
- 03 **LOWER PANEL** • 1 BOX
- 04 **FULL GUARDRAIL** •
- 05 **3/4 GUARDRAIL** •
- 06 **END CAPS ( Left + Right )** • 1 BOX
- 07 **LONG RAILS** •
- 08 **TWIN SLAT KIT** • 1 BOX
- 09 **FULL LOWER SLAT KIT ( 65301 )** • 1 BOX



## STEP 1

Attach the long rails (07) to the upper panel (02), using JCB M6 X 3 1/2" (A), and barrel nut (C). Tighten with the Allen wrench (F).



A



JCB M6 X 3 1/2"

C



Barrel Nut

F



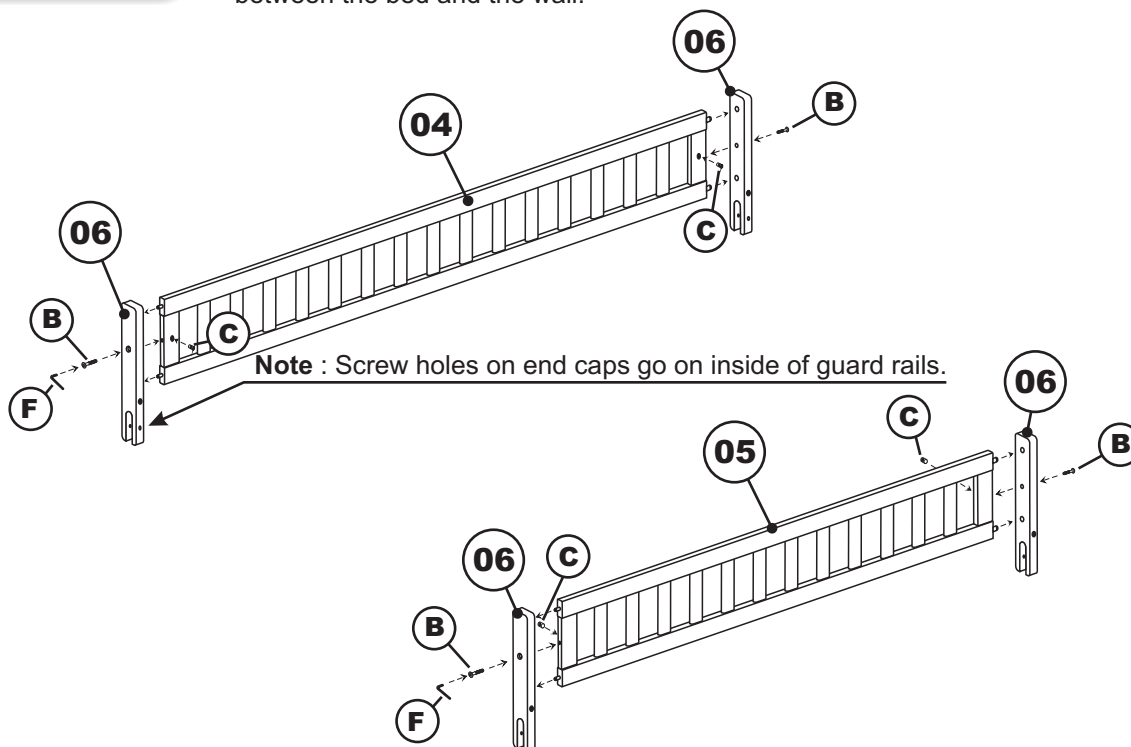
Allen wrench



Assembling by Adult

## STEP 2

If the bunk bed will be placed next to a wall, the guard rail that runs the full length of the bed should be placed against the wall to prevent entrapment between the bed and the wall.



Assembling by Adult

B



JCB M6 X 2"

C



Barrel Nut

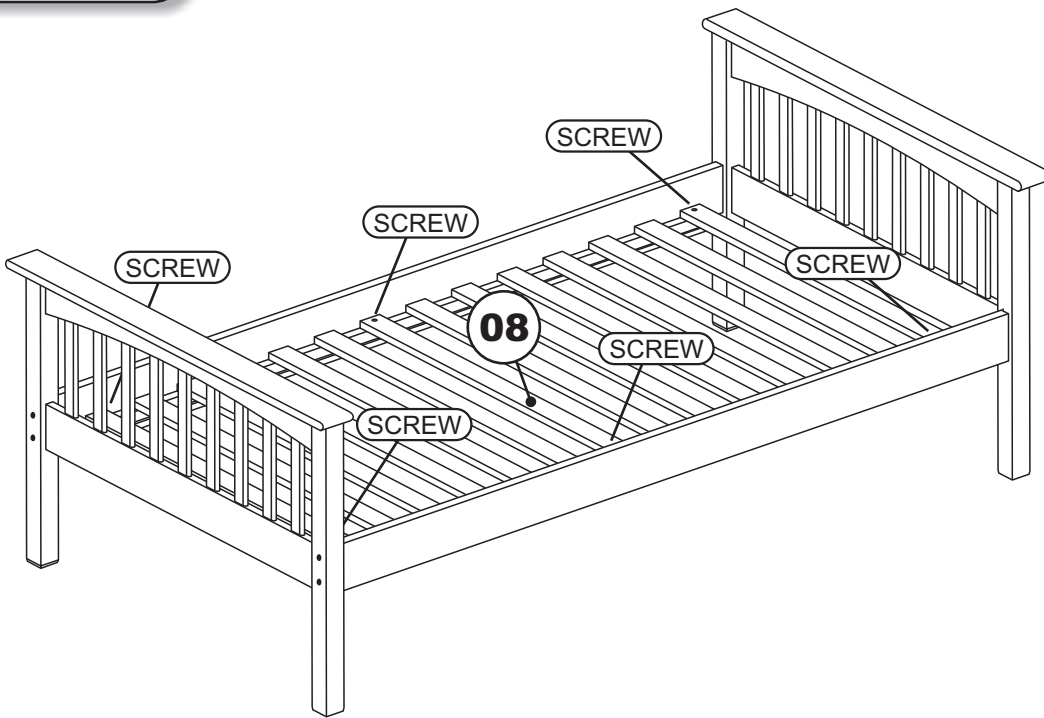
F



Allen wrench

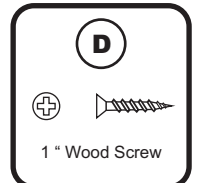
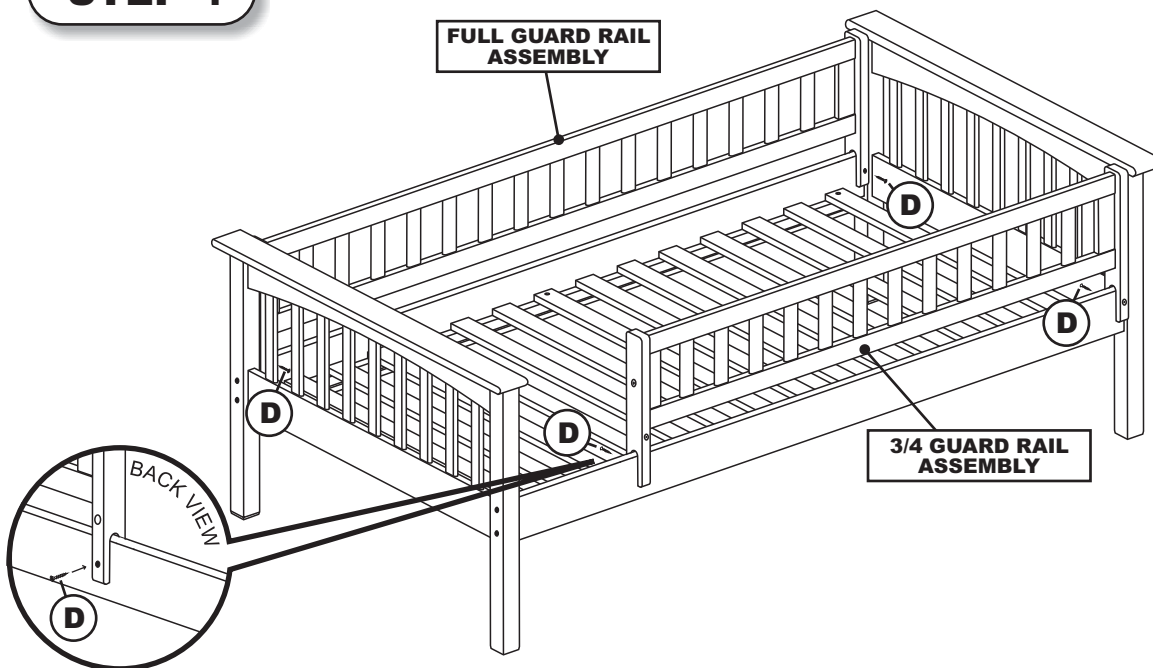
Attach the full guard rail (04) to the end caps (06), using JCB M6 X 2" (B), and barrel nut (C). Tighten with the Allen wrench (F). Repeat for 3/4 guard rail (05).

### STEP 3



Lay the twin slat kit (08) onto the bed. Fix in place using wood screws provided in the slat kit box.  
FOR SLAT KIT ASSEMBLY follow assembly instructions included with slat kit.

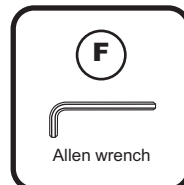
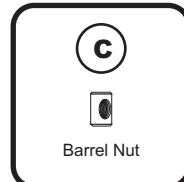
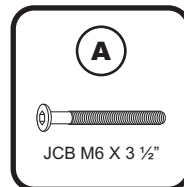
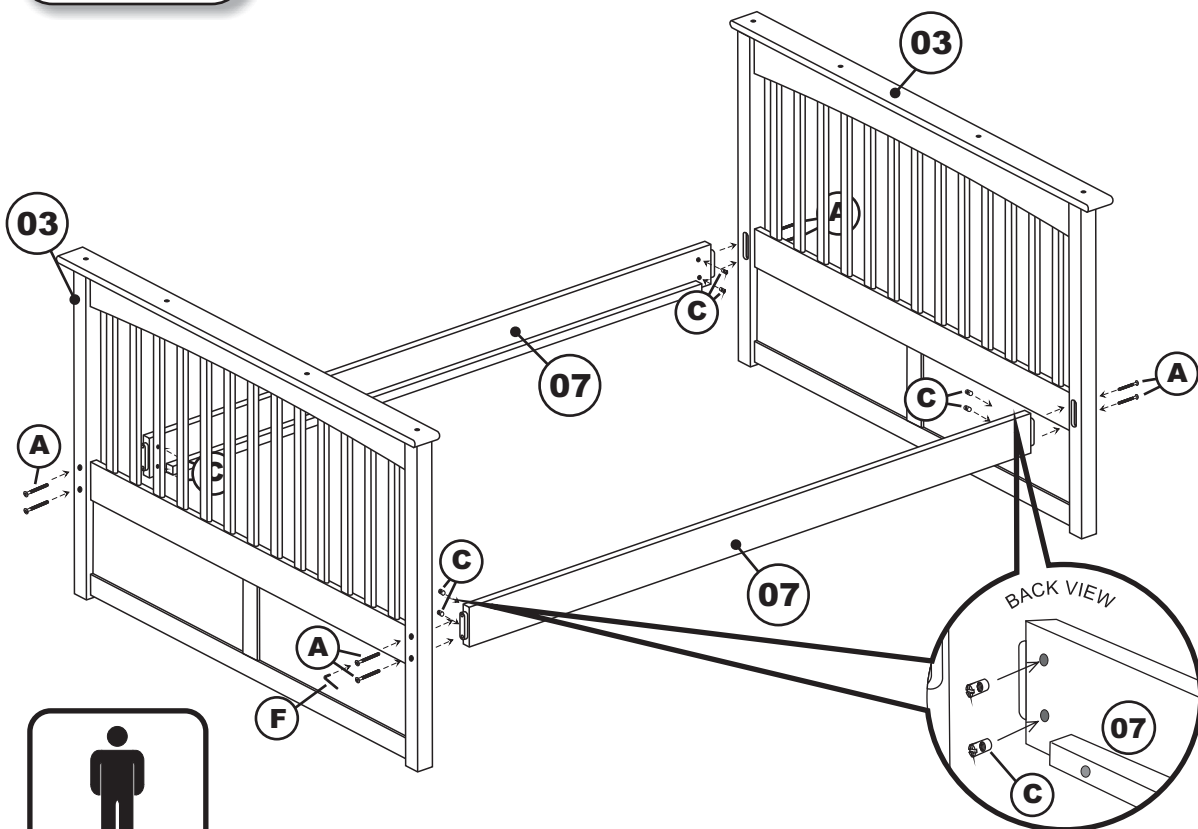
### STEP 4



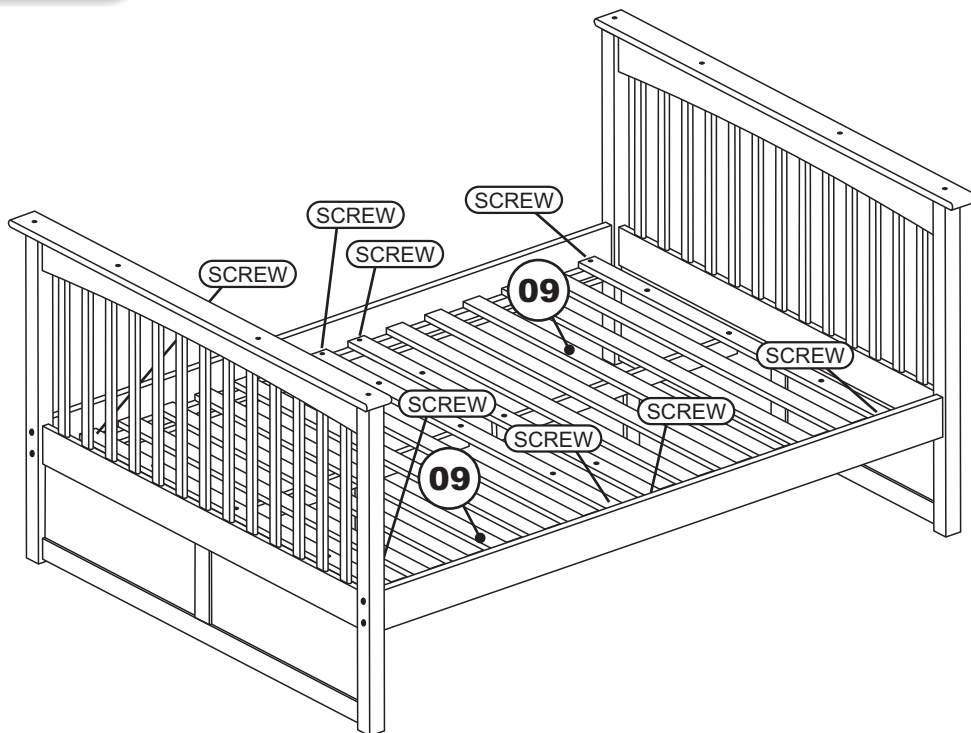
Install The full and 3/4 guard rail assemblies onto the long rails, and fix in place using wood screws (D).  
Tighten with the Phillips head screwdriver.

## STEP 5

Attach the long rails (07) to the lower panel (03), using JCB M6 X 3 1/2" (A), and barrel nut (C). Tighten with the Allen wrench (F).

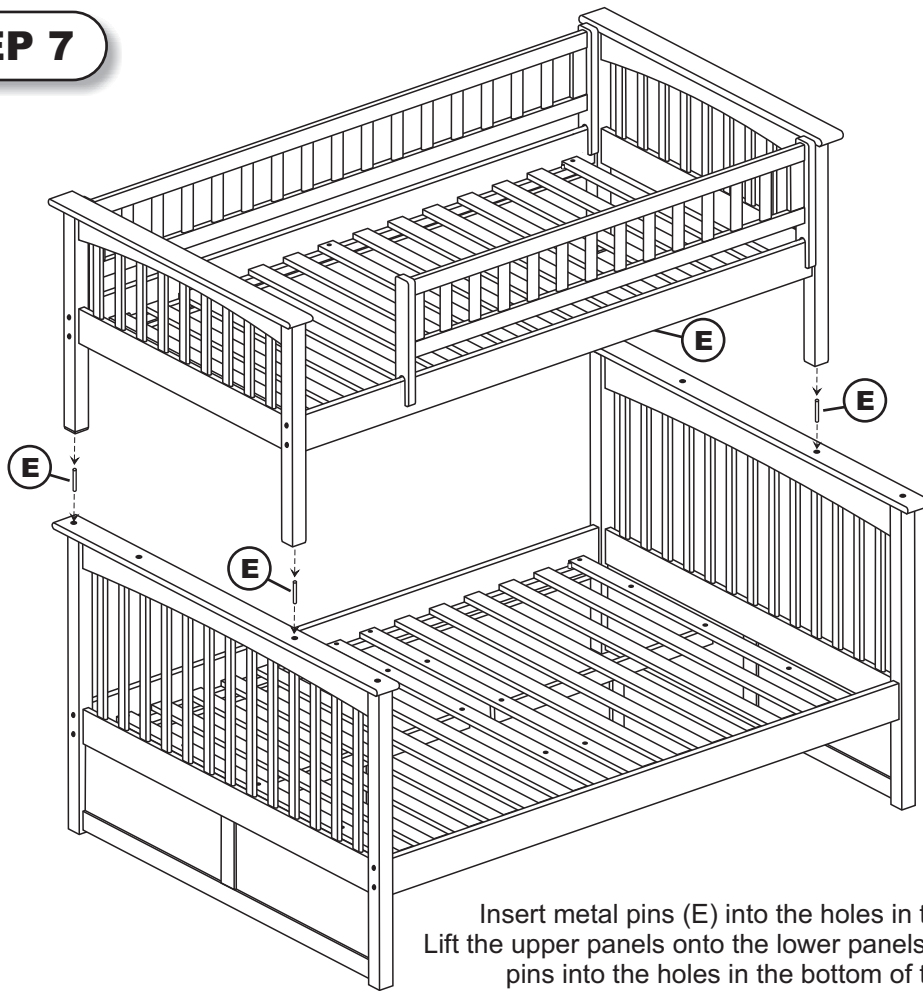


## STEP 6



Lay the slat kit with center support (09) onto the bed, and fix in place using wood screws provided in the slat kit box. FOR SLAT KIT ASSEMBLY follow assembly instructions included with slat kit.

## STEP 7



Assembling by Adult

(E)

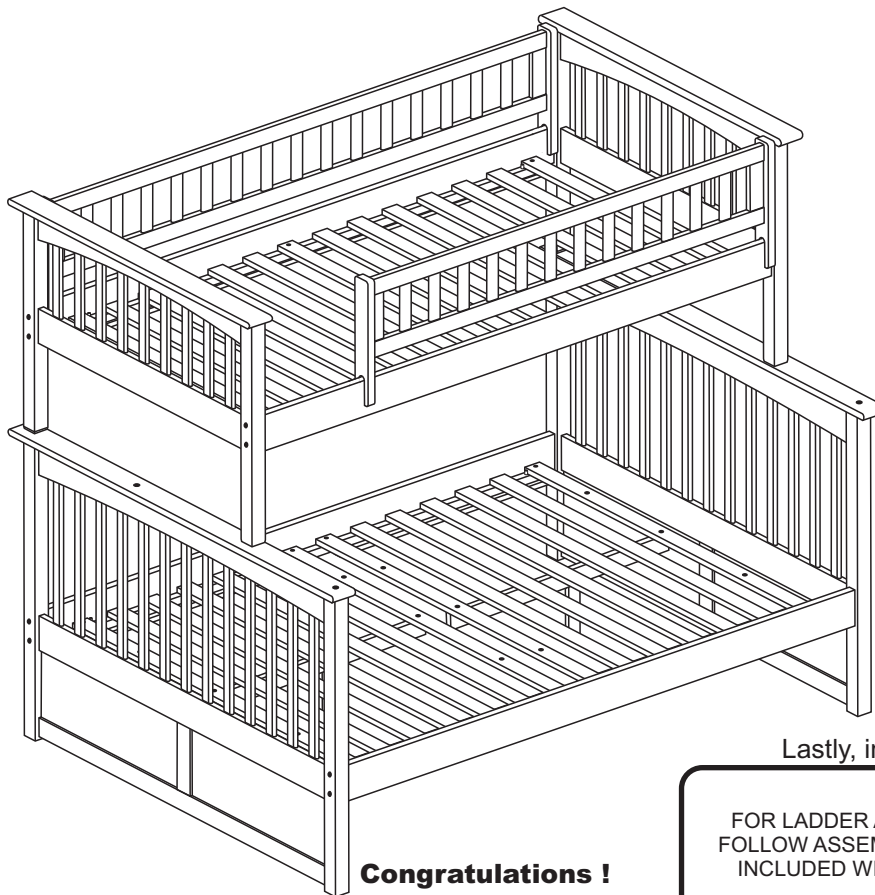


Metal Pins

**CAUTION**  
This step requires two strong people.

Insert metal pins (E) into the holes in top of the lower panels. Lift the upper panels onto the lower panels as shown, and fit the metal pins into the holes in the bottom of the upper panel legs.

## STEP 8



Assembling by Adult

Customer Supplied



Phillips head screwdriver

Lastly, install Ladder.

FOR LADDER ASSEMBLY, PLEASE FOLLOW ASSEMBLY INSTRUCTIONS INCLUDED WITH YOUR LADDER.

**Congratulations !**

Your Columbia bunk bed is now ready for use. We recommend that you recheck that all screws are tightened, and that all parts are secure before use and periodically to ensure safety.