

MODEL-LB5200

WOODCREST MANUFACTURING

150 WASHINGTON *P.O. BOX 848 PERU, IN 46970
765-472-4471



WOODCREST CERTIFIES

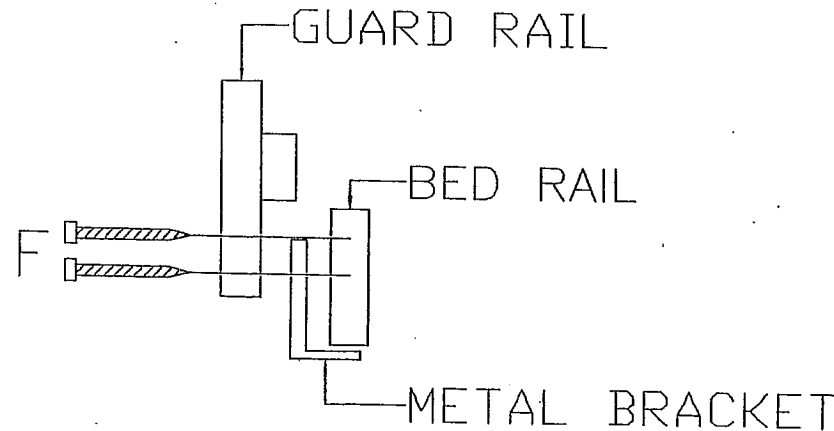
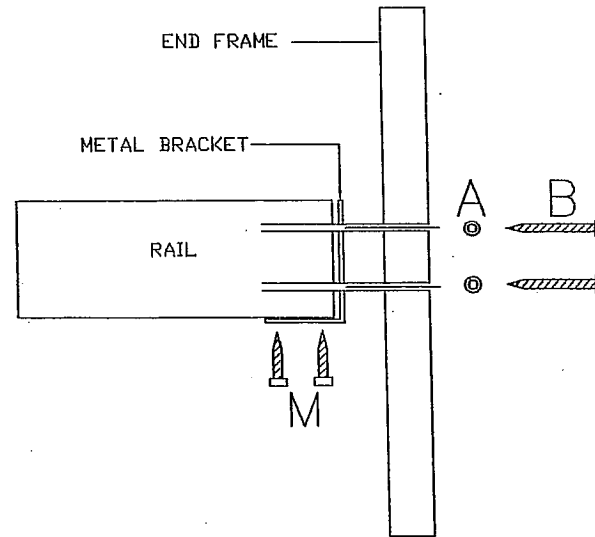
This Bunk Bed Model Tested by
an Independent laboratory for
Compliance with ASTM F-1427
Standard Consumer Safety
Specification for Bunk Beds and
Code of Federal Regulations
(CFR) 1213 "Safety Standards for
Entrapment Hazards in Bunk Beds"
and Code (CFR) 1513
"Requirements for Bunk Beds"



MADE IN U.S.A.

BUY AMERICAN

METAL BRACKET ASSEMBLY



- 1) FOLLOW THE INFORMATION ON THE WARNINGS APPEARING ON THE UPPER BUNK END STRUCTURE AND ON THE CARTON. DO NOT REMOVE WARNING LABEL FROM BED.
- 2) ALWAYS USE THE RECOMMENDED SIZE MATTRESS OR MATTRESS SUPPORT, OR BOTH, TO PREVENT THE LIKELIHOOD OF ENTRAPMENT OR FALLS.
- 3) SURFACE OF MATTRESS MUST BE AT LEAST 5" BELOW THE UPPER EDGE OF GUARDRAILS.
- 4) DO NOT ALLOW CHILDREN UNDER "6" YEARS OF AGE TO USE THE UPPER BUNK.
- 5) PERIODICALLY CHECK TO ENSURE THAT THE GUARDRAIL, THE LADDER, AND OTHER COMPONENTS ARE IN THEIR PROPER POSITION, FREE FROM DAMAGE, AND THAT ALL CONNECTIONS ARE TIGHT.
- 6) DO NOT ALLOW HORSEPLAY ON OR UNDER THE BED AND PROHIBIT JUMPING ON THE BED.
- 7) ALWAYS USE THE LADDER FOR ENTERING AND LEAVING THE UPPER BUNK.
- 8) DO NOT SUBSTITUTE PARTS. CONTACT THE MANUFACTURER OR DEALER FOR REPLACEMENT PARTS.
- 9) USE OF A NIGHTLIGHT MAY PROVIDE ADDED SAFETY PRECAUTION FOR A CHILD USING THE UPPER BUNK.
- 10) ALWAYS USE LONG GUARDRAIL ON THE BACKSIDE OF THE UPPER BUNK.
- 11) THE USE OF WATER OR SLEEP FLOTATION MATTRESS IS PROHIBITED.
- 12) PROHIBIT MORE THAN ONE PERSON ON THE UPPER BUNK.
- 13) KEEP THESE INSTRUCTIONS FOR FURTHER REFERENCE.
- 14) IF THE BUNK BED WILL BE PLACED NEXT TO A WALL, THE GUARDRAIL THAT RUNS THE FULL LENGTH OF THE BED SHOULD BE PLACED AGAINST THE WALL TO PREVENT ENTRAPMENT BETWEEN THE BED AND WALL.

STRANGULATION HAZARD

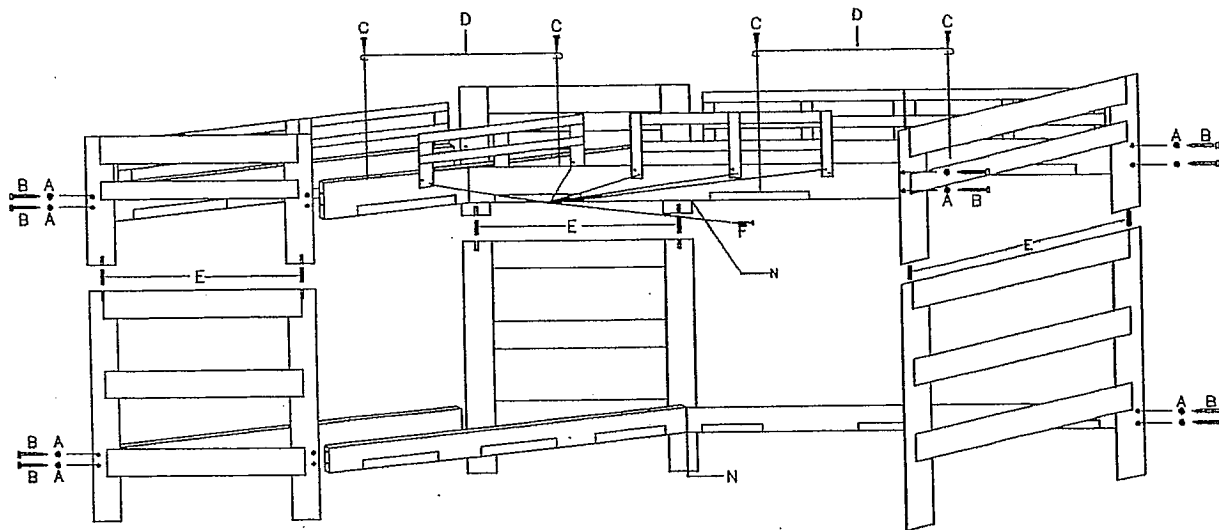
- 15) NEVER ATTACH OR HANG ITEMS TO ANY PART OF THE BUNK BED THAT ARE NOT DESIGNED FOR USE WITH THE BED FOR EXAMPLE, BUT NOT LIMITED TO HOOKS, BELTS, AND JUMP ROPES.

TOOLS REQUIRED

7/16" SOCKET OR NUT DRIVER
PHILLIPS HEAD SCREWDRIVER
HAMMER

PARTS

A-	1/4" FLAT WASHERS	8
B-	4" LAG BOLTS	8
C-	#14 X 3/4" SCREWS	4
D-	SAFETY WIRES	2
E-	3" DOWELS	2
M-	#8 X 1 1/4" SCREWS	10
N-	METAL BRACKETS	2



MODEL-LB6200

MODEL # LB6200 BUNK BED ASSEMBLY INSTRUCTIONS

1. POSITION 75" RAILS TO LOWER END FRAME WITH FOUNDATION BLOCKS TURNED INSIDE AND DOWN. ASSEMBLE WITH LAG BOLTS (B) AND FLAT WASHERS (A). REPEAT FOR UPPER BED FRAME.
2. STACK BEDS- PLACE STACKING DOWEL (E) IN DOWEL HOLES ON LOWER BED. CAREFULLY PLACE UPPER BUNK BED ON DOWELS MAKING SURE ALL HOLES ARE PROPERLY ALIGNED.
3. SAFETY WIRES- PLACE SAFETY WIRES (D) ON TOP OF FOUNDATION BLOCKS 11 1/2" FROM THE END FRAME. AFFIX WITH 3/4" SCREWS (C). NOTE: WIRES ARE A SAFETY FEATURE TO PREVENT MATTRESS FROM FALLING BETWEEN FOUNDATION BLOCKS. WIRES ARE NOT TO BE USED AS FOUNDATION.
4. GUARD RAILS- POSITION 2 SHORT GUARD RAIL SIDE-BY-SIDE ON UPPER BACK BED RAIL LEAVING 1/8" GAP BETWEEN GUARD RAIL AND END FRAME. AFFIX WITH 2" SCREWS (F). CENTER 47" GUARD RAIL ON FRONT SIDE UPPER BED RAIL ASSURING THERE IS NO MORE THAN 15" BETWEEN GUARD RAIL AND END FRAME. AFFIX WITH 2" SCREWS (F).
5. METAL BRACKET- PLACE METAL BRACKET (N) BETWEEN BED RAIL AND END FRAME, PLACE LAG BOLTS THROUGH BED FRAME AND METAL BRACKET AND INTO BED RAIL AND TIGHTEN. USING 1 1/4" SCREWS (M) ATTACH METAL BRACKET TO BOTTOM OF BED RAIL. METAL TAB FACING OUT.
6. BED RAIL- THE BED RAIL WITH THE TWO HOLES ARE FOR THE TOP BUNK. THE EXTRA BED WILL MOUNT TO THIS RAIL.

SIZE OF MATTRESS AND FOUNDATION

THIS BED IS DESIGNED TO USE A MATTRESS (37 1/2" x 74") WITH A BUNKIE BOARD (37 1/2" x 74"). THE TOTAL THICKNESS OF FOUNDATION AND MATTRESS MUST NOT EXCEED 6 1/2". NOTE: THERE MUST BE AT LEAST 5" FROM THE SLEEPING SURFACE TO THE TOP EDGE OF THE GUARD RAIL AND END FRAME.

REPLACEMENT PARTS

REPLACEMENT PARTS, INCLUDING ADDITIONAL GUARDRAIL MAY BE OBTAINED FROM ANY OF OUR WOODCREST DEALER